

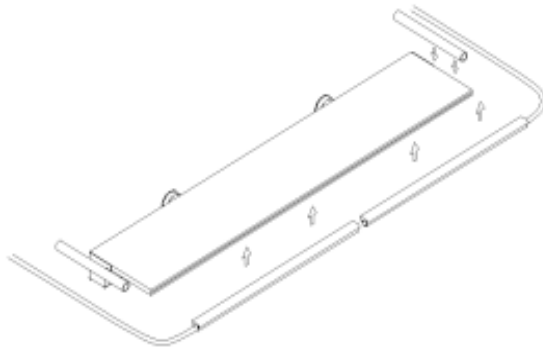
Specifications:

Designed to provide single rows of water and project them away from the falls lip at a 45° angle.

This light bar easily mounts to the bottom lip of a sheer waterfall or rainfall, straight or radius.

A 3/4" conduit is placed next to the waterfall to run the fiber tail back to the illuminator.

Fiber Size: .75mm



Ordering Information:

LB 12- 25 Waterfall Light Bar 12" W, 25' 25 strand fiber
 LB 12- 45 Waterfall Light Bar 12" W, 45' 25 strand fiber
 LB 18- 25 Waterfall Light Bar 18" W, 25' 36 strand fiber
 LB 18- 45 Waterfall Light Bar 18" W, 45' 36 strand fiber
 LB 24 -25 Waterfall Light Bar 24" W, 25' 50 strand fiber
 LB 24 -45 Waterfall Light Bar 24" W, 45' 50 strand fiber
 LB 36 -25 Waterfall Light Bar 36" W, 25' 75 strand fiber
 LB 36-45 Waterfall Light Bar 36" W, 45' 75 strand fiber
 LB 48 -25 Waterfall Light Bar 48" W, 25' 100 strand fiber
 LB 48-45 Waterfall Light Bar 48" W, 45' 100 strand fiber

