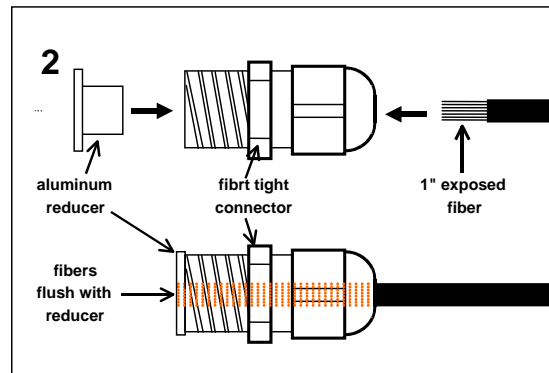
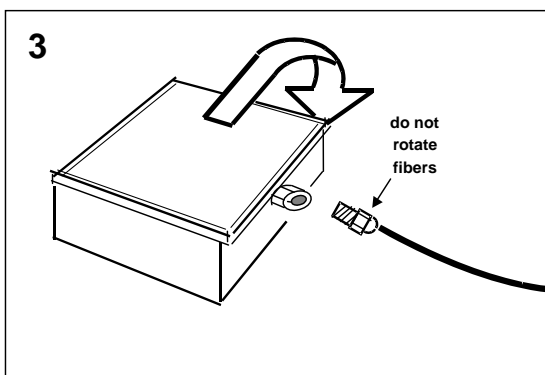


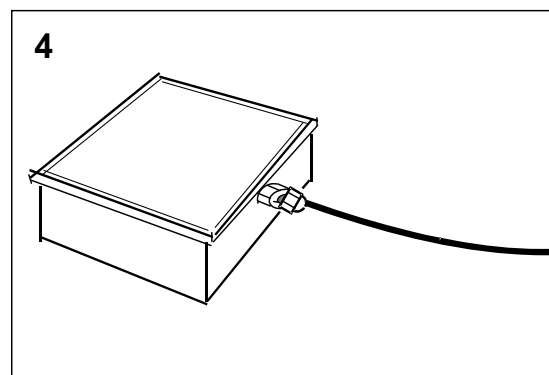
Step 1: Strip jacket off the Fiber Optic Cable.



Step 2: Insert the Aluminum Reducer into the end of the Connector. Insert the fibers into the Connector flush with the end.



Step 3: Thread the fibertight connector into the Paver by rotating the Paver.



Step 4: The Paver is now ready for placement.