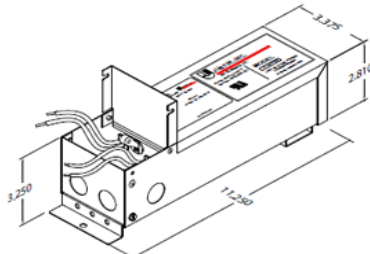
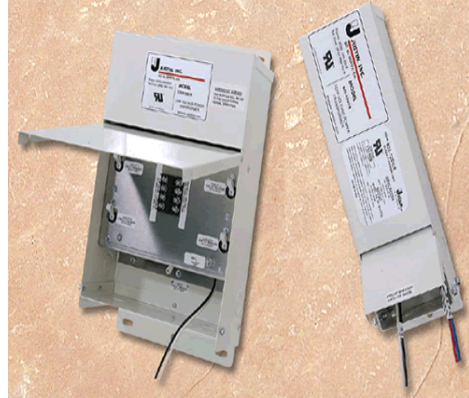


Description

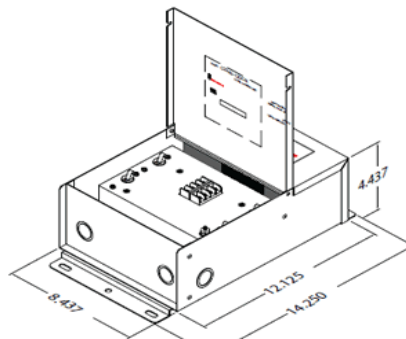
- Indoor/Outdoor Enclosure, Conduit Ready
- Manual Reset Overload Protection
- Multiple Inputs 120, 240, 277V, 50/60Hz
- Reliable Power Source for LED Lighting Applications
- Magnetic Dimmer Ready, Input / Output Dimmable
- Uses Lutron DVLV dimmer
- Made in USA

Ordering Information:

Catalog No.	Watts	Voltage
JT1260W	60W	12VDC
JT12240W	4 x 60W Circuits	12VDC
JT2460W	60W	24VDC
JT24240W	4 x 60W Circuits	24VDC



Model: JT60W



Model: JT240W

SINGLE CIRCUIT DC POWER SUPPLY SPECIFICATIONS

Description	12V Model 60W	Unit
Input Voltage	120	Volts AC, 1 AMP Max.
Output Voltage	12.0 +/-0.3	Volts DC
Output Current	5A, 60W	Amps
Current Limit	3.5/5.5 +/-0.25	Amps

APPROVALS - UL1310 Listed, Class 2 Power Supplies,
UL1310, UL48 Recognized Sign Accessories.
CONSTRUCTION - Indoor/Outdoor
WALL MOUNTING - Conduit Access Wiring
Compartment.

JT60W Details		Unit
Load Regulation	0.1 Tol	Volts
Line Regulation	0.1 Tol	Volts
Input Frequency	50-60	Hertz
Efficiency	70 Typical	%
MTBF	100,000	1 Hours
Operating Environment (AMB)	Minus 30 to +60	Deg "C"
Function Surface Temp. (25 C AMB)	-40 to +80	Deg "C"
Storage Temp.	Minus 65 to +90	Deg "C"
Humidity	100 (Non Cond)	%
Size	11.25 x 3.37 x 3.25	Inches
Shipping Weight	7.0	Pounds