



LIGHTING COMPANY, INC

Project Name:  
 \_\_\_\_\_  
 \_\_\_\_\_

**Submittal**

**STEP LIGHT  
 LED + FIBER OPTIC LIGHTING**

Fixture Type:  
 \_\_\_\_\_  
 \_\_\_\_\_

Approvals:  
 \_\_\_\_\_

Date:  
 \_\_\_\_\_

Page: 1 of 3

**Specifications:**



**Light Source**

Type: LED  
 Power Consumption: 0.50 watts per fixture  
 Maximum length - 6 feet  
 Power Supply: 12V DC  
 Colors: Red, Amber, Blue, Green, White

**Optical Fiber**

Type: Side Light / Super Bright / Solid Core  
 Outer Jacket: Clear Teflon  
 Outside Diameter: 6.5 mm  
 Maximum Length: 6 Feet  
 Acceptance Angle: 45°  
 Numeric Aperture: 0.68  
 Operating Temperature Range:  
 Minimum: 104° F (-45° C)  
 Maximum: 248° F (120° C)

**Bull Nose Profile:**

Material: Aluminum with vinyl extruded track  
 Finish: Anodized Black  
 Width: 2.80" front edge to rear edge  
 Height: 0.32"  
 Mounting: Surface Mount with Screws  
*(Screws not provided)*

**Listing:**

ETL - Tested to standard for Safety for Luminaires,  
 UL 2108, CSA C22.2 and UL 8750  
 ADA Compliant

**Warranty:**

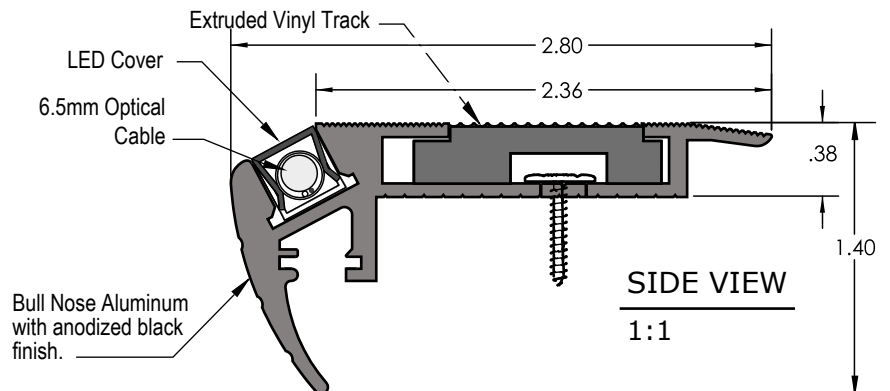
5 years

**Description:**

Our safety step light system was creatively designed to integrate Optical Fiber with LEDs. A unique, patented technology allows for even light distribution for use at steps and transitional surfaces. Great for use in theatre and auditorium environments. It's slim, elegant profile meets and maintains compliances with accepted safety codes and standards.

**Ordering Example:** 300 - □ - □ - □

- Model No. \_\_\_\_\_  
 SLB300
- LED Color Choice \_\_\_\_\_  
 Red - R  
 Amber - A  
 Blue - B  
 Green - G  
 White - W
- Length of Step Edge \_\_\_\_\_
- Power Lead \_\_\_\_\_  
 Right - R  
 Left - L





LIGHTING COMPANY, INC

Project Name:  
\_\_\_\_\_  
\_\_\_\_\_

**Submittal**

**STEP LIGHT  
LED + FIBER OPTIC LIGHTING**

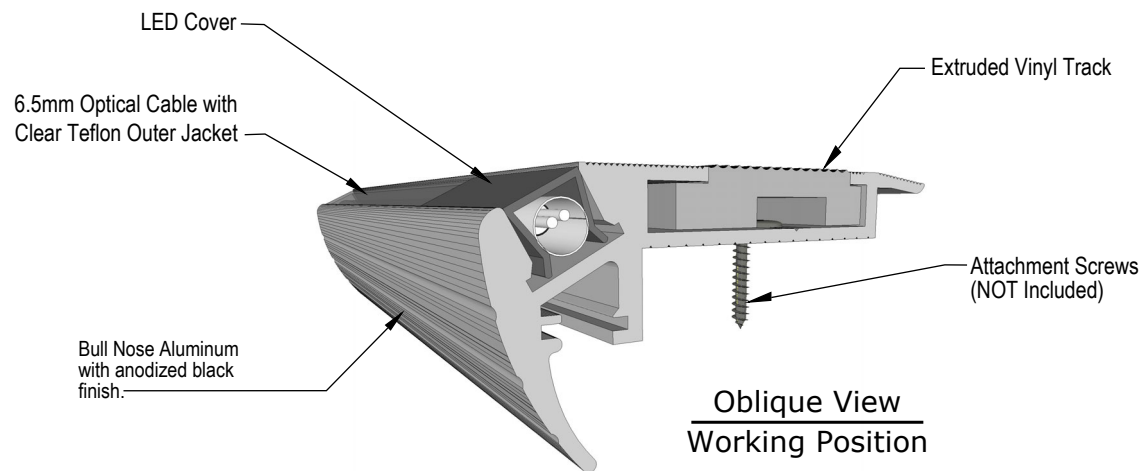
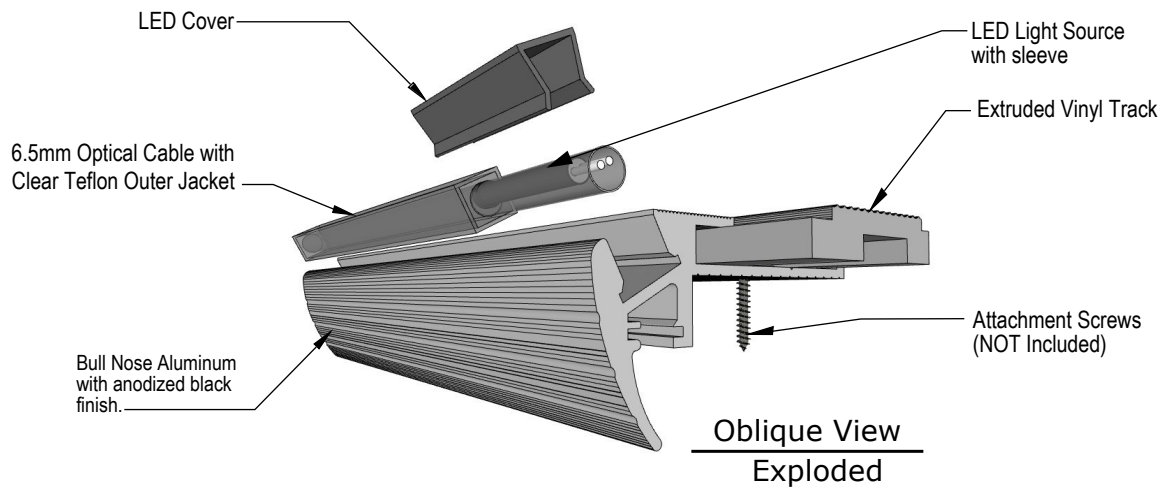
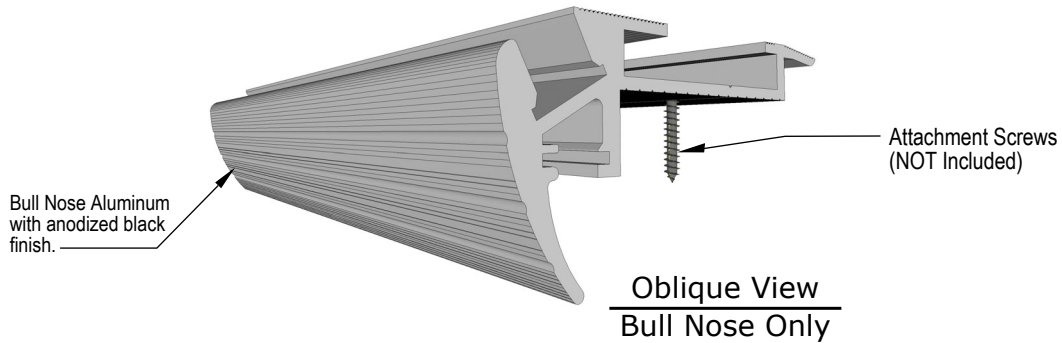
Fixture Type:  
\_\_\_\_\_  
\_\_\_\_\_

Approvals:  
\_\_\_\_\_  
\_\_\_\_\_

Date:  
\_\_\_\_\_  
\_\_\_\_\_

Page: 2 of 3

## Specifications:



**Note: Bull Nose End Caps  
Included, but not shown.**



LIGHTING COMPANY, INC

Project Name:

STEP LIGHT  
LED + FIBER OPTIC LIGHTING

Approvals:

**Submittal**

Fixture Type:

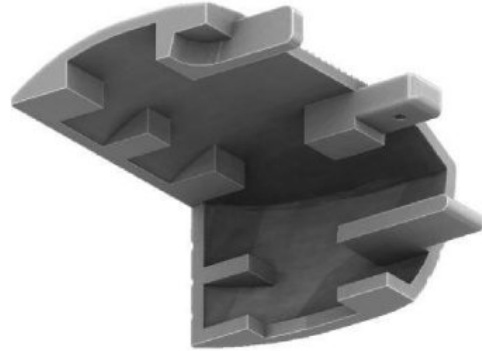
Date:

Page: 1 of 3

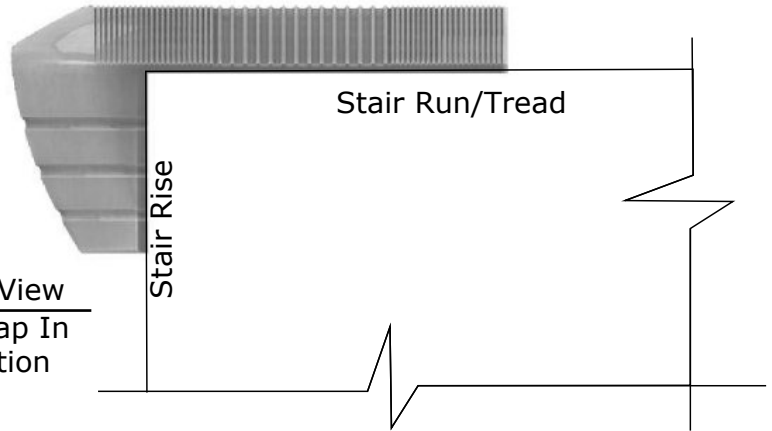
**Specifications:**



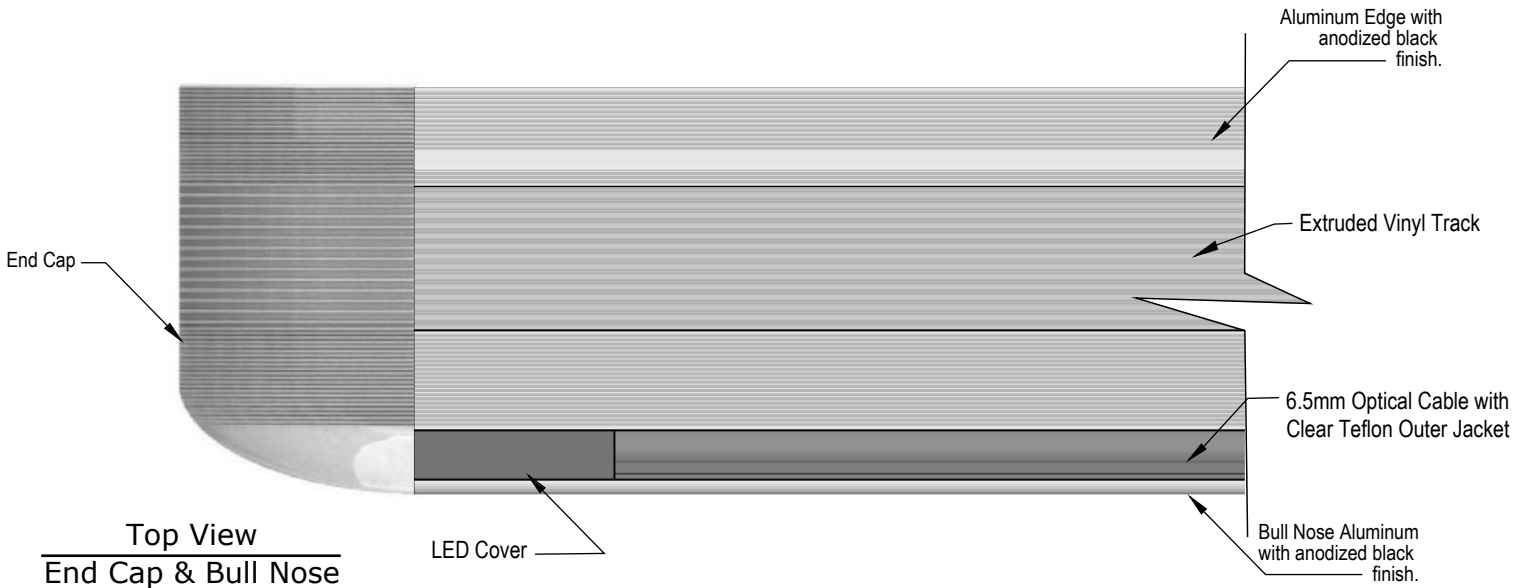
Oblique View - Top  
End Cap Only



Oblique View - Underside  
End Cap Only



Side View  
End Cap In  
Position



Top View  
End Cap & Bull Nose